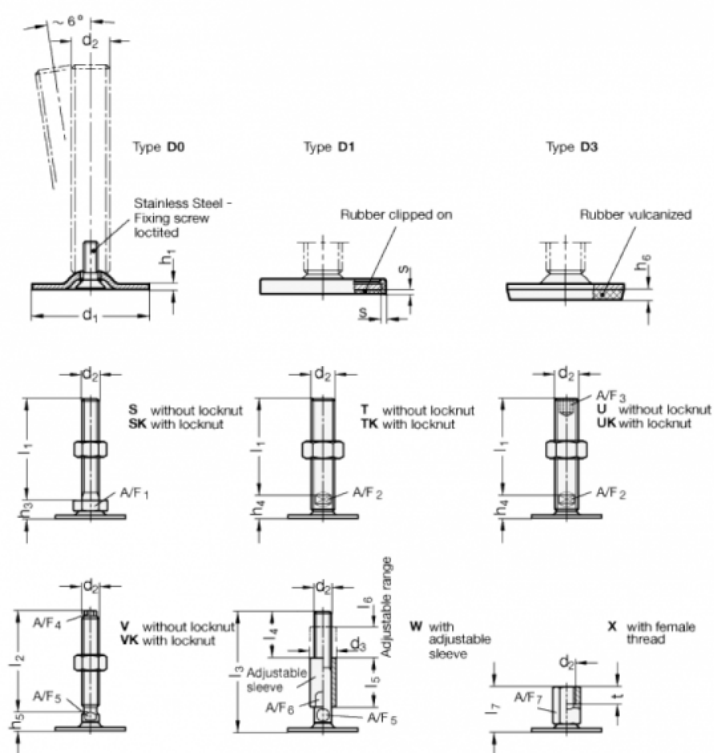


Article number: 204160M16150D0V

Description: E+G levelling foot  
GN 41-60-M16-150-D0-V

Note: V Without nut, External hexagon at the top, Wrench flat at the bottom

## Measures



A/F4 = 10

s =

A/F5 = 12

d1 = 60

d2 = M16

h1 = 2.5

h5 = 14

h6 =

h2 = 150